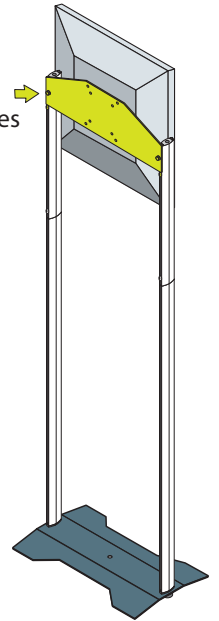
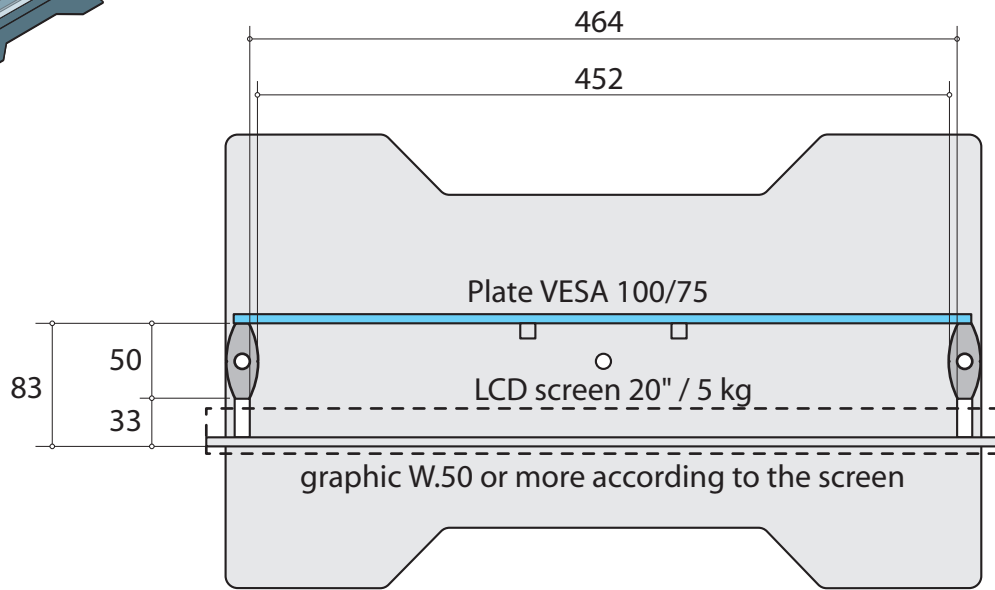


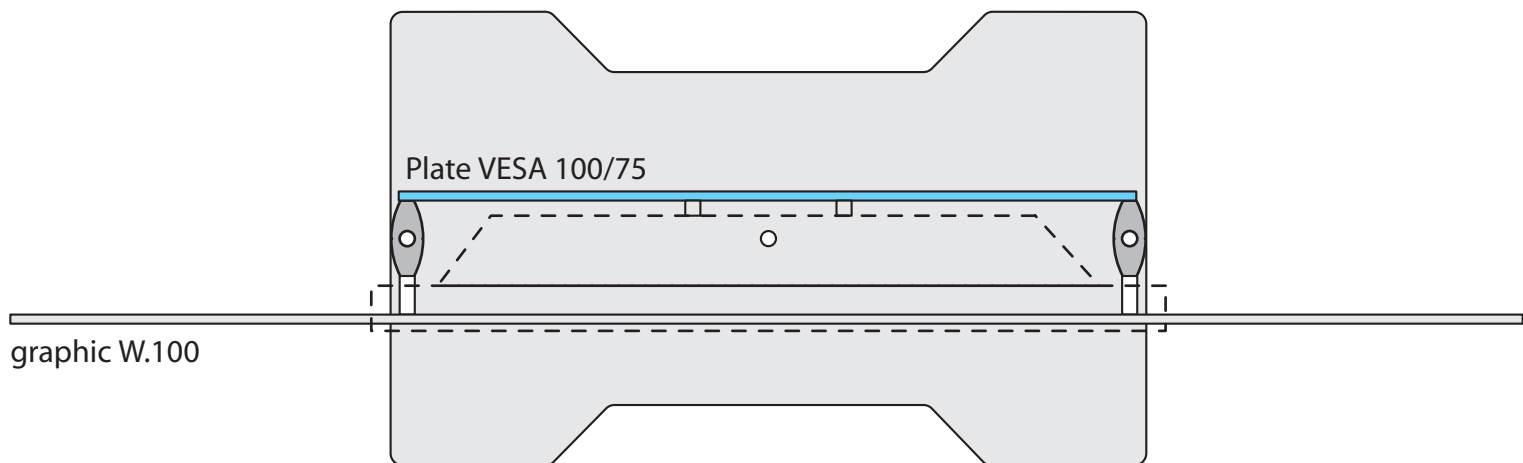
screw the plate
behind the profiles



rapido LCD



LCD screen $\pm 20"$ / ± 5 kg (maximum tested 22")



4 holes $\varnothing 4$ between axis 100 mm and 75 mm

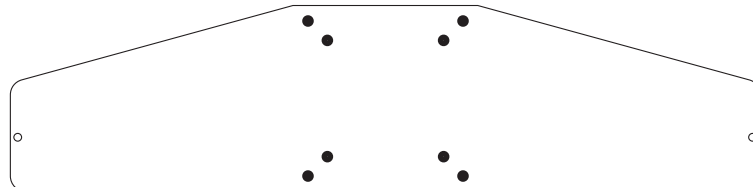


Plate VESA 100/75